

# WSO

## WALL-MOUNTED EXHAUST VENTS WITH MOVING BLADES



### Intended use:

WSO acts as exhaust vent and backdraft damper. It is intended to use as air terminal device of low- and medium-pressure ventilation systems.

### Material and finish

The moving blades of WSO act as backdraft damper and the close automatically after shutting down of the fan. The blades are made of aluminum. The frame is normally made of galvanized steel. Powder coating to any RAL color and special construction (stainless steel frame and aluminum blades or aluminum frame and blades) is possible on request.

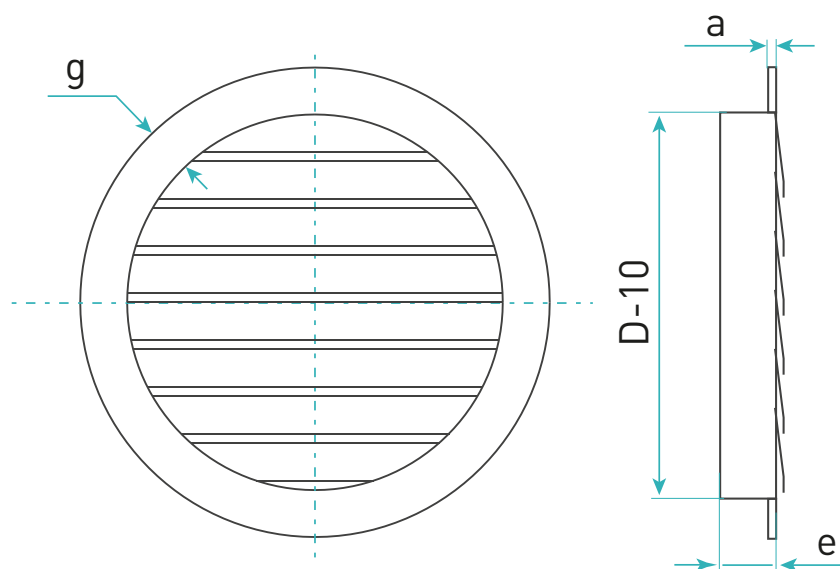
### Installation method

WSO may be installed to the building compartment with use of screws through the holes in the frame (the holes should be prepared by the customer on the construction site).

### Dimensions

Table 1. WSO dimensions.

D [mm]	e [mm]	g [mm]	a [mm]
100	40	30	5
125	40	30	5
160	40	30	5
200	40	30	10
250	60	30	10
315	60	30	10
400	60	30	10
500	60	30	10
630	60	30	10
710	60	40	10
800	60	40	10
1000	60	40	10



Rysunek 1. WSO dimensions.

SL

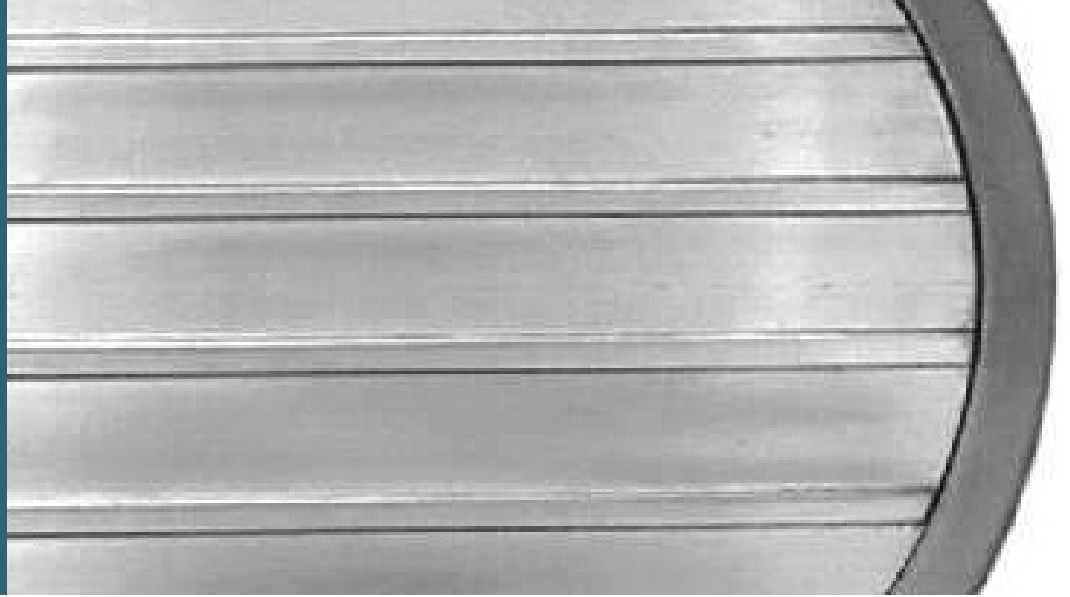
SO

SN

RAL

AA

AL



## WSO - Wall-mounted exhaust vents with moving blades

While ordering, please provide the information using the following method:

WSO - <D> - <P> <RAL>

Where:

**D** nominal diameter in mm

**P** finish: \*

SL - powder coated steel frame, powder coated aluminum blades

**SO - galvanized steel frame, aluminum blades**

AA - anodized aluminum frame and blades

AL - powder coated aluminum frame and blades

SN - stainless steel 1.4301 (acc. PN-EN 10088) frame, aluminum blades

**RAL** RAL color (for SL, AL finish)\*

\* optional values - default values will be used if optional values are not specified

Order example: **WSO-125-SL9010**