



## CXT circular external grilles

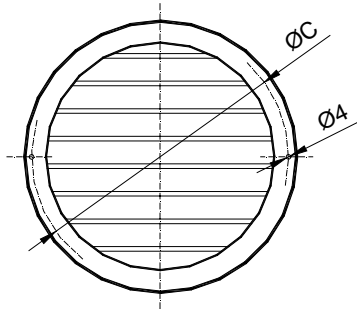


MADEL®

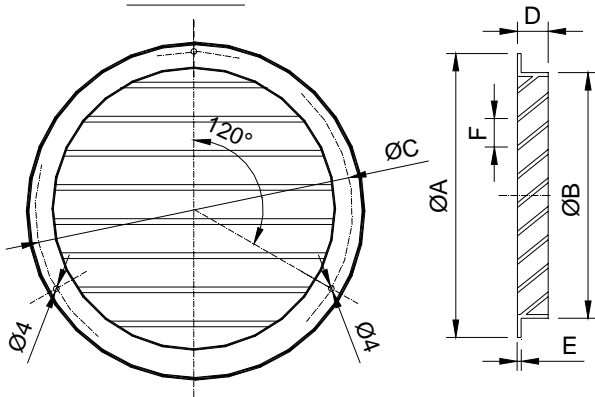
The **CXT** series grilles are designed to take in air from the exterior or to expel used air. The fixed blades at 45° are designed to prevent rain penetration. They are very strongly built and resistant to aggressive climatic conditions, for outdoor installation.

**CXT**

125 / 160 / 200 / 250



315 / 400



H	$\varnothing A$	$\varnothing B$	$\varnothing C$	D	E	F	Kg
125	155	124	139,5	25	3	20	0,36
160	190	159	174,5	25	3	20	0,41
200	230	199	214,5	25	3	20	0,49
250	280	248	264	28	3	20	0,74
315	350	314	332	20	3	20	1,94
400	440	399	419,5	25	7	25	3,6

**CLASSIFICATION**

**CXT** Circular grille with embedded mesh.

**MATERIAL**

Injected aluminium grille.  
These grilles have embedded a mesh.

**FIXING SYSTEMS**

**(T)** The grille is fixed in place with screws.

**FINISHES**

**M9016** Painted in white similar to RAL 9016.

**M9010** Painted in white RAL 9010.

**RAL...** Painted in other RAL colours.

**SPECIFICATION TEXT**

Supply and mounting of external use circular grille with mesh series **CXT (T) M9016 dim. 400**, constructed from aluminium paint in white **M9016**, visible fixing by screws **(T)**.  
Manufacturer **MADEL**.

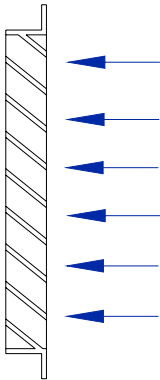
## CXT

### NECK VELOCITY, PRESSURE LOSS AND SOUND POWER LEVEL.

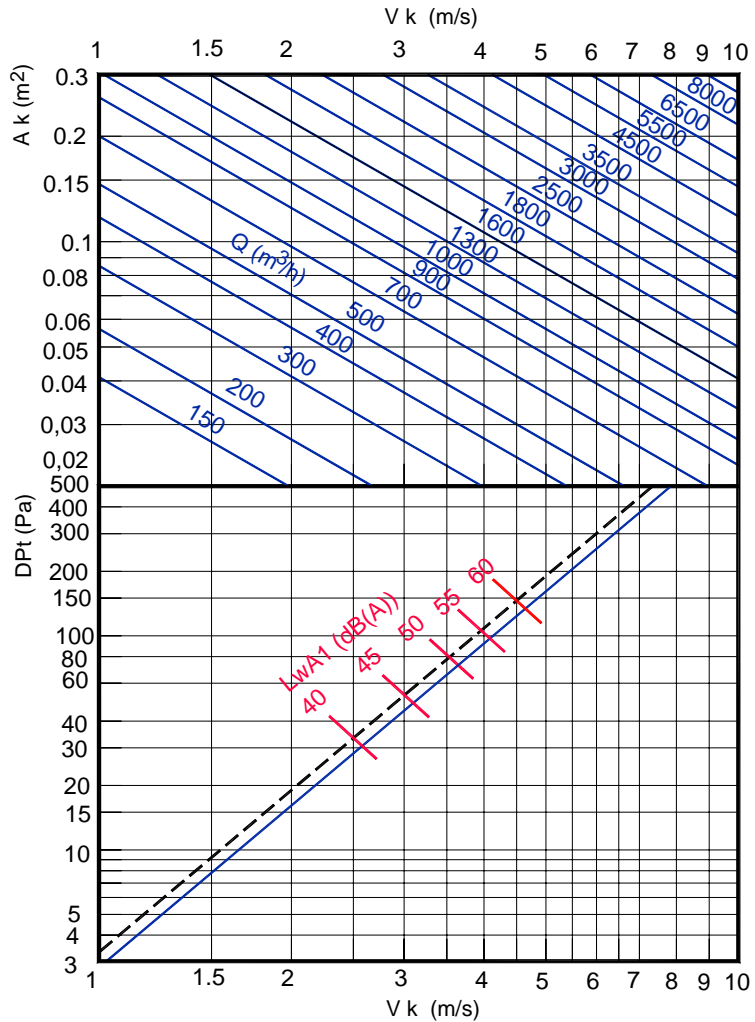
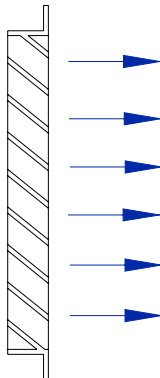
NECK AREA m<sup>2</sup>.

	A <sub>k</sub> m <sup>2</sup>
125	0,0123
160	0,0201
200	0,0314
250	0,0491
315	0,0779
400	0,125

TAKE IN AIR



EXPELL USED AIR



--- TAKE IN AIR  
— EXPELL USED AIR

$$V_k \text{ (m/s)} = \frac{Q \text{ (m}^3 \text{ / h)}}{A_k \text{ (m}^2) \cdot 3600}$$

$$V_k \text{ (m/s)} = \frac{Q \text{ (l/s)}}{A_k \text{ (m}^2) \cdot 1000}$$