

## CECHY PRODUKTU |

- Przystosowane do montażu naściennego
- Ssące lub tłoczące
- Stosowane do wentylacji, chłodzenia oraz ogrzewania
- Zastosowanie w pomieszczeniach komercyjnych, przemysłowych jak również do użytku domowego
- Urządzenie jedno oraz trójfazowe
- Siatka ochronna wykonana z drutu stalowego ocynkowanego, łopatki metalowe



## DANE TECHNICZNE | Z SIATKĄ OCHRONNĄ TŁOCZĄCE

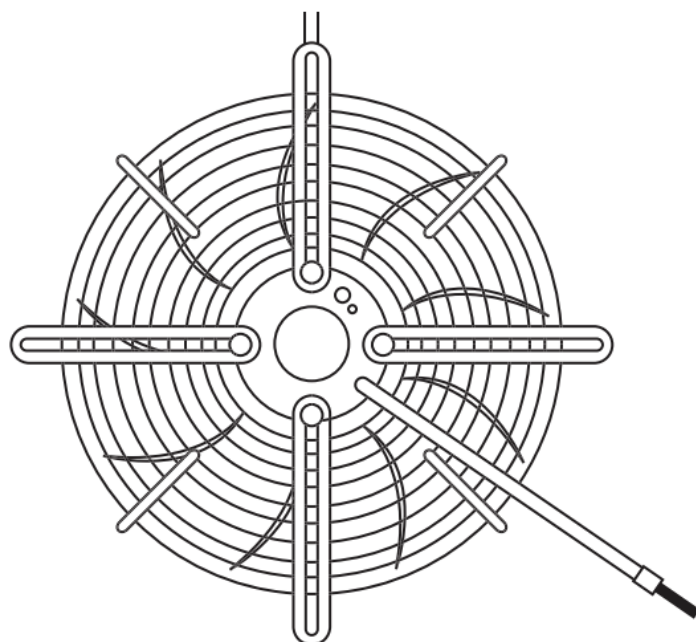
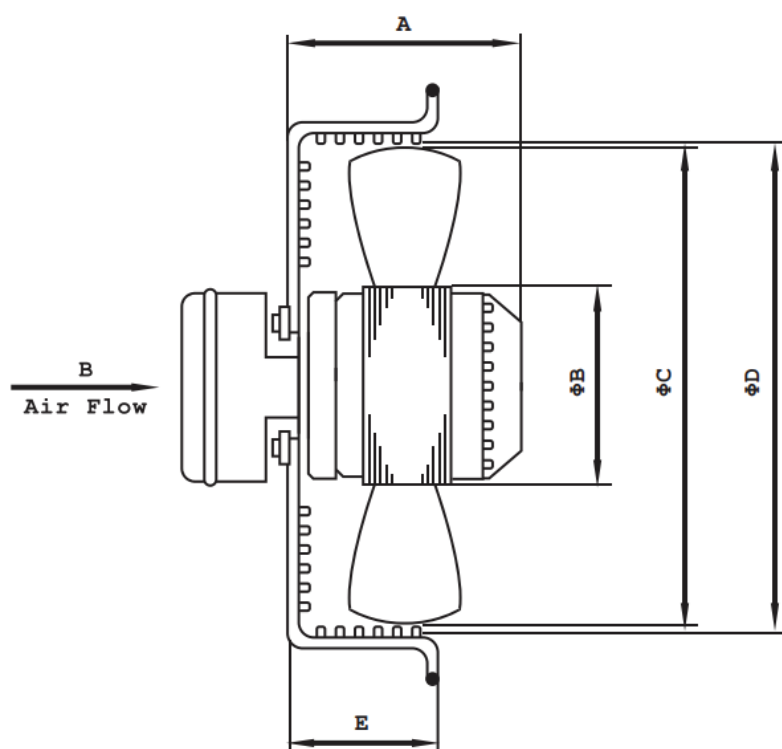
| MODEL          | KOD PRODUKTU   | WYDAJNOŚĆ<br>m <sup>3</sup> /h | MOC<br>W       | POBÓR PRĄDU<br>A | PRĘDKOŚĆ<br>OBROTOWA<br>obr/min | KLASA IZOLACJI<br>IP | WAGA<br>kg | GŁOŚNOŚĆ<br>dB |
|----------------|----------------|--------------------------------|----------------|------------------|---------------------------------|----------------------|------------|----------------|
| FR-250-BG 230V | IAFR250BG-1701 | 1450                           | 90             | 0,42             | 2400                            | B                    | 2,5        | 60             |
| FR-300-BG 230V | IAFR300BG-1702 | 1845                           | 75             | 0,4              | 1400                            | B                    | 3          | 60             |
| FR-350-BG 230V | IAFR350BG-1703 | 2450                           | 129            | 0,65             | 1400                            | B                    | 5          | 64             |
| FR-400-BG 230V | IAFR400BG-1704 | 3955                           | 180            | 0,82             | 1380                            | B                    | 6          | 67             |
| FR-450-BG 230V | IAFR450BG-1705 | 5365                           | 250            | 1,15             | 1350                            | B                    | 8          | 69             |
| FR-500-BG 230V | IAFR500BG-1706 | 7155                           | 380            | 1,75             | 1320                            | B                    | 9          | 71             |
| FR-550-BG 230V | IAFR550BG-1707 | 8510                           | 550            | 2,55             | 1300                            | B                    | 11         | 72             |
| FR-630-BG 230V | IAFR630BG-1708 | 11435                          | 750            | 3,5              | 1360                            | B                    | 15         | 75             |
| FR-710-BG 400V | IAFR710BG-1709 | Δ 14500   Y 12015              | Δ 900   Y 650  | Δ 1,9   Y 1,55   | Δ 900   Y 730                   | F                    | 30         | Δ 73   Y 72    |
| FR-800-BG 400V | IAFR800BG-1710 | Δ 19860   Y 16590              | Δ 1200   Y 930 | Δ 2,85   Y 1,65  | Δ 320   Y 770                   | F                    | 35         | Δ 75   Y 74    |

## DANE TECHNICZNE | Z SIATKĄ OCHRONNĄ SSĄCE

| MODEL          | KOD PRODUKTU   | WYDAJNOŚĆ<br>m <sup>3</sup> /h | MOC<br>W       | POBÓR PRĄDU<br>A | PRĘDKOŚĆ<br>OBROTOWA<br>obr/min | KLASA IZOLACJI<br>IP | WAGA<br>kg | GŁOŚNOŚĆ<br>dB |
|----------------|----------------|--------------------------------|----------------|------------------|---------------------------------|----------------------|------------|----------------|
| FR-250-SG 230V | IAFR250SG-1711 | 1450                           | 90             | 0,42             | 2400                            | B                    | 2,5        | 60             |
| FR-300-SG 230V | IAFR300SG-1712 | 1845                           | 75             | 0,4              | 1400                            | B                    | 3          | 60             |
| FR-350-SG 230V | IAFR350SG-1713 | 2450                           | 129            | 0,65             | 1400                            | B                    | 5          | 64             |
| FR-400-SG 230V | IAFR400SG-1714 | 3955                           | 180            | 0,82             | 1380                            | B                    | 6          | 67             |
| FR-450-SG 230V | IAFR450SG-1715 | 5365                           | 250            | 1,15             | 1350                            | B                    | 8          | 69             |
| FR-500-SG 230V | IAFR500SG-1716 | 7155                           | 380            | 1,75             | 1320                            | B                    | 9          | 71             |
| FR-550-SG 230V | IAFR550SG-1717 | 8510                           | 550            | 2,55             | 1300                            | B                    | 11         | 72             |
| FR-630-SG 230V | IAFR630SG-1718 | 11435                          | 750            | 3,5              | 1360                            | B                    | 15         | 75             |
| FR-710-SG 400V | IAFR710SG-1719 | Δ 14500   Y 12015              | Δ 900   Y 650  | Δ 1,9   Y 1,55   | Δ 900   Y 730                   | F                    | 30         | Δ 73   Y 72    |
| FR-800-SG 400V | IAFR800SG-1720 | Δ 19860   Y 16590              | Δ 1200   Y 930 | Δ 2,85   Y 1,65  | Δ 320   Y 770                   | F                    | 35         | Δ 75   Y 74    |

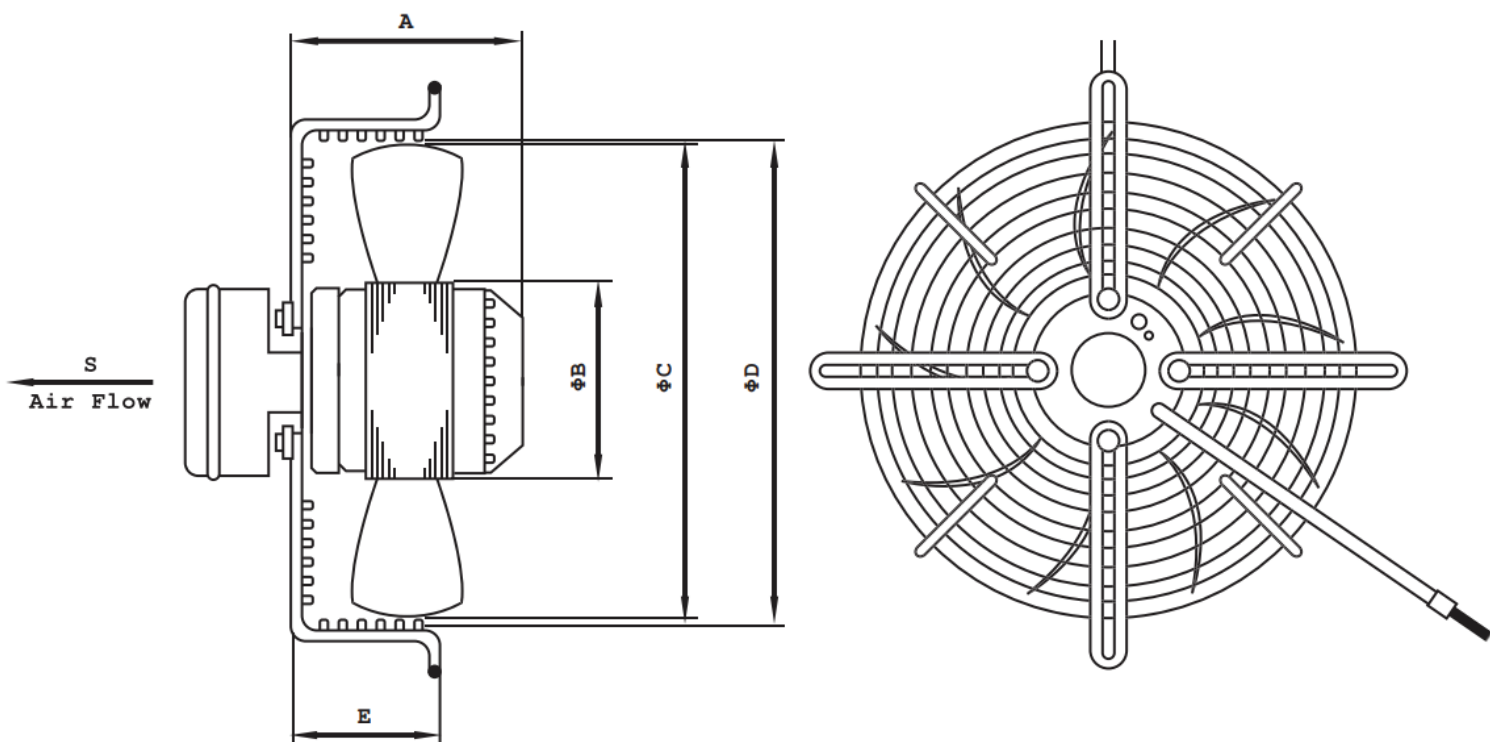
## WYMIARY | Z SIATKĄ OCHRONNĄ TŁOCZĄCE

| MODEL     | A      | ΦB  | ΦC                             | ΦD                             | E                              |
|-----------|--------|-----|--------------------------------|--------------------------------|--------------------------------|
| FR-250-BG | 75,5±1 | 92  | 250 <sub>-5</sub> <sup>0</sup> | 275 <sub>0</sub> <sup>+5</sup> | 60±1                           |
| FR-300-BG | 88±2   | 92  | 300 <sub>-5</sub> <sup>0</sup> | 320 <sub>0</sub> <sup>+5</sup> | 80 <sub>0</sub> <sup>+5</sup>  |
| FR-350-BG | 169±1  | 102 | 350 <sub>-5</sub> <sup>0</sup> | 370 <sub>0</sub> <sup>+5</sup> | 80 <sub>0</sub> <sup>+5</sup>  |
| FR-400-BG | 117±1  | 102 | 400 <sub>-5</sub> <sup>0</sup> | 420 <sub>0</sub> <sup>+5</sup> | 90 <sub>0</sub> <sup>+5</sup>  |
| FR-450-BG | 192±1  | 102 | 450 <sub>-5</sub> <sup>0</sup> | 470 <sub>0</sub> <sup>+5</sup> | 90 <sub>0</sub> <sup>+5</sup>  |
| FR-500-BG | 124±1  | 137 | 500 <sub>-5</sub> <sup>0</sup> | 520 <sub>0</sub> <sup>+5</sup> | 90 <sub>0</sub> <sup>+5</sup>  |
| FR-550-BG | 139±1  | 137 | 550 <sub>-5</sub> <sup>0</sup> | 570 <sub>0</sub> <sup>+5</sup> | 100 <sub>0</sub> <sup>+5</sup> |
| FR-630-BG | 159±1  | 137 | 630 <sub>-5</sub> <sup>0</sup> | 650 <sub>0</sub> <sup>+5</sup> | 100 <sub>0</sub> <sup>+5</sup> |
| FR-710-BG | 240±1  | 180 | 703 <sub>-5</sub> <sup>0</sup> | 770 <sub>0</sub> <sup>+5</sup> | 120 <sub>0</sub> <sup>+5</sup> |
| FR-800-BG | 240±1  | 180 | 784 <sub>-5</sub> <sup>0</sup> | 857 <sub>0</sub> <sup>+5</sup> | 120 <sub>0</sub> <sup>+5</sup> |



## WYMIARY | Z SIATKĄ OCHRONNĄ SSĄCY

| MODEL     | A      | ΦB  | ΦC                             | ΦD                             | E                              |
|-----------|--------|-----|--------------------------------|--------------------------------|--------------------------------|
| FR-250-SG | 75,5±1 | 92  | 250 <sub>-5</sub> <sup>0</sup> | 275 <sub>0</sub> <sup>+5</sup> | 60±1                           |
| FR-300-SG | 88±2   | 92  | 300 <sub>-5</sub> <sup>0</sup> | 320 <sub>0</sub> <sup>+5</sup> | 80 <sub>0</sub> <sup>+5</sup>  |
| FR-350-SG | 169±1  | 102 | 350 <sub>-5</sub> <sup>0</sup> | 370 <sub>0</sub> <sup>+5</sup> | 80 <sub>0</sub> <sup>+5</sup>  |
| FR-400-SG | 117±1  | 102 | 400 <sub>-5</sub> <sup>0</sup> | 420 <sub>0</sub> <sup>+5</sup> | 90 <sub>0</sub> <sup>+5</sup>  |
| FR-450-SG | 192±1  | 102 | 450 <sub>-5</sub> <sup>0</sup> | 470 <sub>0</sub> <sup>+5</sup> | 90 <sub>0</sub> <sup>+5</sup>  |
| FR-500-SG | 124±1  | 137 | 500 <sub>-5</sub> <sup>0</sup> | 520 <sub>0</sub> <sup>+5</sup> | 90 <sub>0</sub> <sup>+5</sup>  |
| FR-550-SG | 139±1  | 137 | 550 <sub>-5</sub> <sup>0</sup> | 570 <sub>0</sub> <sup>+5</sup> | 100 <sub>0</sub> <sup>+5</sup> |
| FR-630-SG | 159±1  | 137 | 630 <sub>-5</sub> <sup>0</sup> | 650 <sub>0</sub> <sup>+5</sup> | 100 <sub>0</sub> <sup>+5</sup> |
| FR-710-SG | 240±1  | 180 | 703 <sub>-5</sub> <sup>0</sup> | 770 <sub>0</sub> <sup>+5</sup> | 120 <sub>0</sub> <sup>+5</sup> |
| FR-800-SG | 240±1  | 180 | 784 <sub>-5</sub> <sup>0</sup> | 857 <sub>0</sub> <sup>+5</sup> | 120 <sub>0</sub> <sup>+5</sup> |

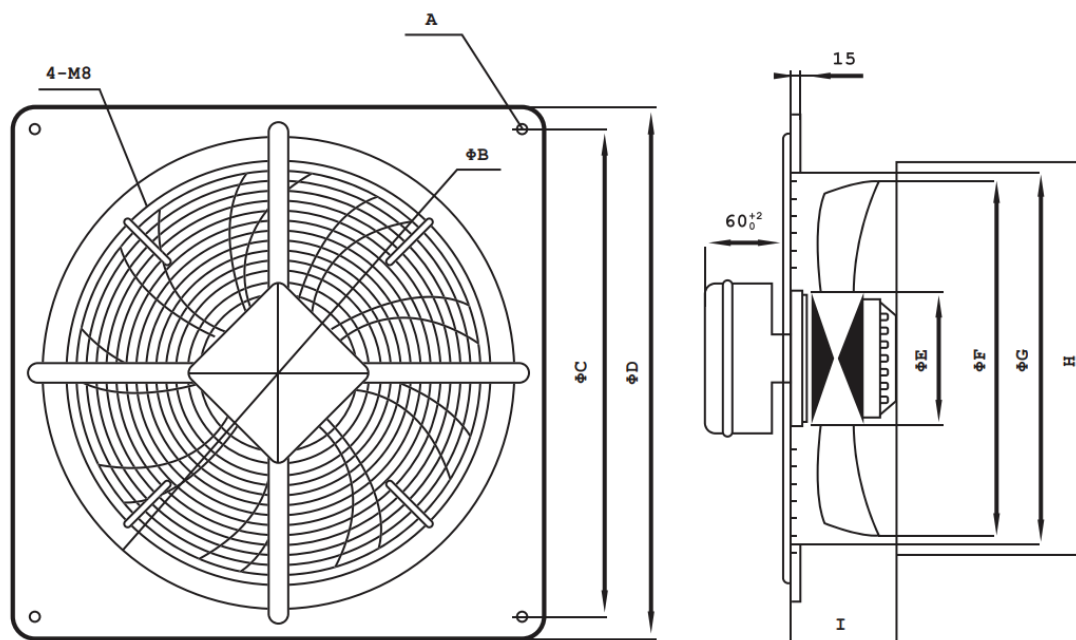


## DANE TECHNICZNE | W KWADRATOWEJ OBUDOWIE

| MODEL          | KOD PRODUKTU   | WYDAJNOŚĆ<br>m <sup>3</sup> /h | MOC<br>W       | POBÓR PRĄDU<br>A | PRĘDKOŚĆ<br>OBROTOWA<br>obr/min | KLASA IZOLACJI<br>IP | WAGA<br>kg | GŁOŚNOŚĆ<br>dB |
|----------------|----------------|--------------------------------|----------------|------------------|---------------------------------|----------------------|------------|----------------|
| FR-200-BS 230V | IAFR200BS-1721 | 715                            | 55             | 0,25             | 2500                            | B                    | 2          | 52             |
| FR-250-BS 230V | IAFR250BS-1722 | 1450                           | 90             | 0,42             | 2400                            | B                    | 2,5        | 60             |
| FR-300-BS 230V | IAFR300BS-1723 | 1845                           | 75             | 0,4              | 1400                            | B                    | 3          | 60             |
| FR-350-BS 230V | IAFR350BS-1724 | 2450                           | 129            | 0,65             | 1400                            | B                    | 5          | 64             |
| FR-400-BS 230V | IAFR400BS-1725 | 3955                           | 180            | 0,82             | 1380                            | B                    | 6          | 67             |
| FR-450-BS 230V | IAFR450BS-1726 | 5365                           | 250            | 1,15             | 1350                            | B                    | 8          | 69             |
| FR-500-BS 230V | IAFR500BS-1727 | 7155                           | 380            | 1,75             | 1320                            | B                    | 9          | 71             |
| FR-550-BS 230V | IAFR550BS-1728 | 8510                           | 550            | 2,55             | 1300                            | B                    | 11         | 72             |
| FR-630-BS 230V | IAFR630BS-1729 | 11435                          | 750            | 3,5              | 1360                            | B                    | 15         | 75             |
| FR-710-BS 400V | IAFR710BS-1730 | Δ 14500   Y 12015              | Δ 900   Y 650  | Δ 1,9   Y 1,15   | Δ 900   Y 730                   | F                    | 30         | Δ 73   Y 72    |
| FR-800-BS 400V | IAFR800BS-1731 | Δ 19860   Y 16590              | Δ 1200   Y 930 | Δ 2,85   Y 1,65  | Δ 320   Y 770                   | F                    | 35         | Δ 75   Y 74    |

## WYMIARY | W KWADRATOWEJ OBUDOWIE

| MODEL     | A                                    | ΦB  | ΦC  | ΦD  | ΦE  | ΦF                             | ΦG  | ΦH  | I   |
|-----------|--------------------------------------|-----|-----|-----|-----|--------------------------------|-----|-----|-----|
| FR-200-BS | 4xφ7 <sup>0</sup> <sub>-0,2</sub>    | 260 | 260 | 310 | 92  | 200 <sup>0</sup> <sub>-5</sub> | 203 | 210 | 90  |
| FR-250-BS | 4xφ7 <sup>0</sup> <sub>-0,2</sub>    | 320 | 320 | 370 | 92  | 250 <sup>0</sup> <sub>-5</sub> | 260 | 280 | 90  |
| FR-300-BS | 4xφ7 <sup>0</sup> <sub>-0,2</sub>    | 380 | 380 | 430 | 92  | 300 <sup>0</sup> <sub>-5</sub> | 315 | 335 | 90  |
| FR-350-BS | 4xφ10 <sup>0</sup> <sub>-0,2</sub>   | 415 | 435 | 485 | 102 | 350 <sup>0</sup> <sub>-5</sub> | 360 | 380 | 90  |
| FR-400-BS | 4xφ10 <sup>0</sup> <sub>-0,2</sub>   | 470 | 490 | 540 | 102 | 400 <sup>0</sup> <sub>-5</sub> | 410 | 430 | 110 |
| FR-450-BS | 4xφ10 <sup>0</sup> <sub>-0,2</sub>   | 520 | 535 | 575 | 102 | 450 <sup>0</sup> <sub>-5</sub> | 460 | 480 | 110 |
| FR-500-BS | 4xφ10 <sup>0</sup> <sub>-0,2</sub>   | 580 | 612 | 655 | 137 | 500 <sup>0</sup> <sub>-5</sub> | 510 | 530 | 115 |
| FR-550-BS | 4xφ10 <sup>0</sup> <sub>-0,2</sub>   | 650 | 670 | 725 | 137 | 550 <sup>0</sup> <sub>-5</sub> | 565 | 585 | 115 |
| FR-630-BS | 4xφ10 <sup>0</sup> <sub>-0,2</sub>   | 730 | 750 | 805 | 137 | 630 <sup>0</sup> <sub>-5</sub> | 640 | 660 | 125 |
| FR-710-BS | 4xφ11 <sup>0</sup> <sub>-0,2</sub>   | 795 | 810 | 850 | 180 | 703 <sup>0</sup> <sub>-5</sub> | 710 | 722 | 265 |
| FR-800-BS | 4xφ14,5 <sup>0</sup> <sub>-0,2</sub> | 950 | 910 | 970 | 180 | 784 <sup>0</sup>               | 795 | 830 | 265 |



## DANE TECHNICZNE | KANAŁOWY

| MODEL          | KOD PRODUKTU   | WYDAJNOŚĆ<br>m <sup>3</sup> /h | MOC<br>W | POBÓR PRĄDU<br>A | PRĘDKOŚĆ<br>OBROTOWA<br>obr/min | KLASA IZOLACJI<br>IP | WAGA<br>kg | GŁOŚNOŚĆ<br>dB |
|----------------|----------------|--------------------------------|----------|------------------|---------------------------------|----------------------|------------|----------------|
| FR-200-BC 230V | IAFR200BC-1732 | 715                            | 55       | 0,25             | 2500                            | B                    | 2          | 52             |
| FR-250-BC 230V | IAFR250BC-1733 | 1450                           | 90       | 0,42             | 2400                            | B                    | 2,5        | 60             |
| FR-300-BC 230V | IAFR300BC-1734 | 1845                           | 75       | 0,4              | 1400                            | B                    | 3          | 60             |
| FR-350-BC 230V | IAFR350BC-1735 | 2450                           | 129      | 0,65             | 1400                            | B                    | 5          | 64             |
| FR-400-BC 230V | IAFR400BC-1736 | 3955                           | 180      | 0,82             | 1380                            | B                    | 6          | 67             |
| FR-450-BC 230V | IAFR450BC-1737 | 5365                           | 250      | 1,15             | 1350                            | B                    | 8          | 69             |
| FR-500-BC 230V | IAFR500BC-1738 | 7155                           | 380      | 1,75             | 1320                            | B                    | 9          | 71             |
| FR-550-BC 230V | IAFR550BC-1739 | 8510                           | 550      | 2,55             | 1300                            | B                    | 11         | 72             |
| FR-630-BC 230V | IAFR630BC-1740 | 11435                          | 750      | 3,5              | 1360                            | B                    | 15         | 75             |

# WYMIARY | KANAŁOWY

| MODEL     | A | B                             | C   | ΦD  | ΦE                             | ΦF  | ΦG    | ΦH      |
|-----------|---|-------------------------------|-----|-----|--------------------------------|-----|-------|---------|
| FR-200-BC | 8 | 60 <sub>0</sub> <sup>+2</sup> | 180 | 92  | 200 <sub>-5</sub> <sup>0</sup> | 250 | 222,5 | 8-Φ7    |
| FR-250-BC | 8 | 60 <sub>0</sub> <sup>+2</sup> | 180 | 92  | 250 <sub>0</sub> <sup>+2</sup> | 306 | 285   | 8-Φ7    |
| FR-300-BC | 8 | 60 <sub>0</sub> <sup>+2</sup> | 180 | 92  | 315                            | 382 | 360   | 8-Φ7    |
| FR-350-BC | 8 | 60 <sub>0</sub> <sup>+2</sup> | 180 | 102 | 350                            | 350 | 421   | 8-Φ9,5  |
| FR-400-BC | 8 | 60 <sub>0</sub> <sup>+2</sup> | 190 | 102 | 400                            | 400 | 466   | 12-Φ9,5 |
| FR-450-BC | 9 | 60 <sub>0</sub> <sup>+2</sup> | 190 | 102 | 450                            | 450 | 489,5 | 12-Φ9,5 |
| FR-500-BC | 9 | 60                            | 250 | 137 | 500                            | 500 | 567   | 12-Φ9,5 |
| FR-550-BC | 9 | 60                            | 250 | 137 | 560                            | 635 | 606   | 12-Φ10  |
| FR-630-BC | 9 | 60                            | 250 | 137 | 630                            | 705 | 675,5 | 12-Φ10  |

